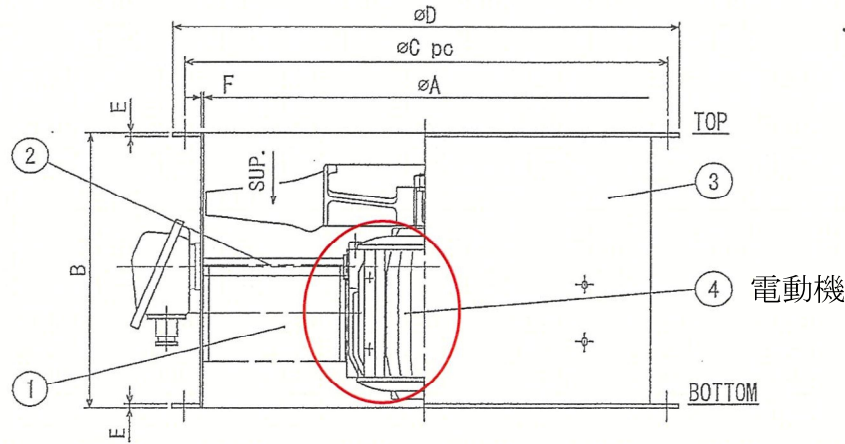


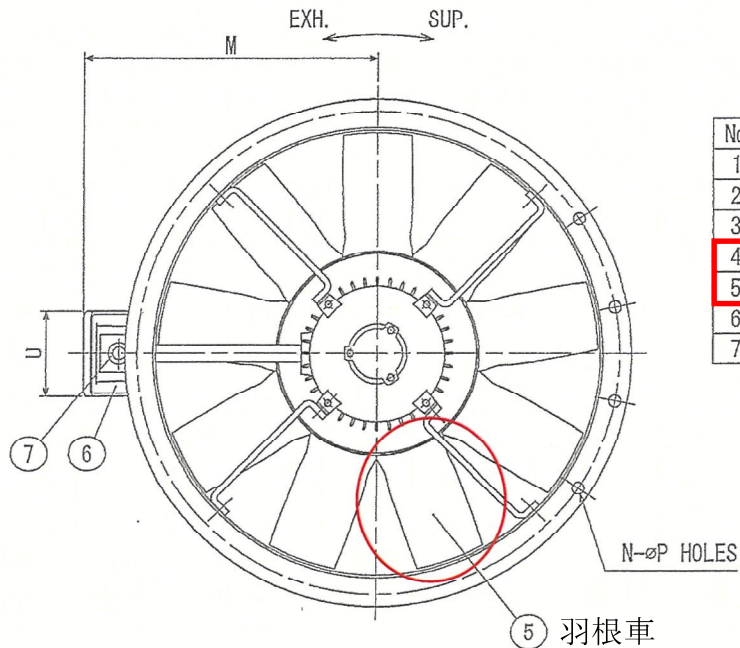
MODEL: FA-60S~85S (SUPPLY)

NO. 1-2 機関室給気通風機

UNIT:mm, kg



| MODEL | A | B | C | D | E | F | N | P | M | U | MASS |
|----------|-----|-----|-----|-----|---|---|----|----|-----|-----|------|
| FA-60-1S | 600 | 400 | 660 | 702 | 6 | 6 | 12 | 15 | 420 | 135 | 98 |
| FA-65-1S | 650 | 400 | 710 | 752 | 6 | 6 | 16 | 15 | 445 | 135 | 103 |
| FA-65-2S | 650 | 430 | 710 | 752 | 6 | 6 | 16 | 15 | 445 | 135 | 118 |
| FA-70-1S | 700 | 430 | 760 | 802 | 6 | 6 | 16 | 15 | 470 | 135 | 122 |
| FA-70-2S | 700 | 430 | 760 | 802 | 6 | 6 | 16 | 15 | 470 | 135 | 125 |
| FA-75-1S | 750 | 500 | 820 | 862 | 8 | 6 | 16 | 19 | 495 | 135 | 153 |
| FA-75-2S | 750 | 500 | 820 | 862 | 8 | 6 | 16 | 19 | 495 | 135 | 164 |
| FA-80-2S | 800 | 500 | 870 | 912 | 8 | 6 | 16 | 19 | 520 | 135 | 172 |
| FA-80-3S | 800 | 500 | 870 | 912 | 8 | 6 | 16 | 19 | 520 | 135 | 179 |
| FA-85-1S | 850 | 500 | 920 | 962 | 8 | 6 | 16 | 19 | 545 | 135 | 185 |
| FA-85-2S | 850 | 500 | 920 | 962 | 8 | 6 | 16 | 19 | 545 | 135 | 204 |
| FA-85-3S | 850 | 500 | 920 | 962 | 8 | 6 | 16 | 19 | 545 | 135 | 183 |



| No. | NAME OF PARTS | MATERIAL | |
|-----|---------------|-----------------|--------|
| 1 | MOTOR HOLDER | MILD STEEL | SS400 |
| 2 | LEAD PIPE | STEEL PIPE | STPG |
| 3 | FAN CASING | STAINLESS STEEL | SUS304 |
| 4 | MOTOR (IP44) | | |
| 5 | FAN (RUNNER) | ALUMI. CAST. | AC4A |
| 6 | TERMINAL BOX | CAST IRON | FC200 |
| 7 | TIGHT GLAND | BRASS | 20c |

AIR VOLUME: 200 m³/min

STATIC PRESS. : 300 Pa

| 3 RD ANGLE PROJECTION | UNIT mm | APR. | MOGASAWARA | TITLE | DRAW. NO. |
|-----------------------|---------|------------|------------|--------------------------------|-----------|
| △ | REV. | | | AXIAL FLOW FAN OUTLINE VIEW | 3F001-354 |
| △ | DES. | | K. DEBICHI | | |
| △ | TRG. | | K. A S A I | | 1 |
| △ | DATE | 11.8.8 K.A | 2011/06/23 | | SHEET NO. |